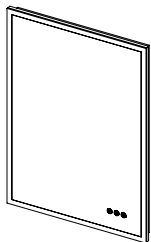


INSTALLATION INSTRUCTIONS FOR MIRRORS



EAM005

SAFETY INSTRUCTIONS

All fittings must be installed by a competent person, in accordance with current IEE wiring regulations. If in doubt, consult a Part P qualified electrician.

Important - Always switch off the electrical supply at the mains during installation and maintenance. It is recommended that the fuse is withdrawn or the circuit breaker is switched off for the necessary circuit before installation commences.

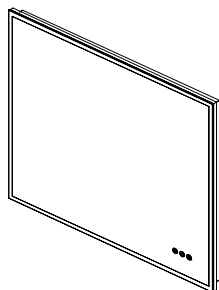
Fitting in Bathrooms is subject to the appropriate location (**See Diagram**). Refer to IEE Regulations. This product is suitable for Zones 2, 3 and outside zones. It is **NOT** suitable for installation in Zone 0 or Zone 1. It is also **NOT** suitable for installation in Saunas, Steam Rooms or Shower Cubicles.

This product is only suitable for permanent installation. **DO NOT** connect to a trailing plug and socket outlet.

Although this product has an Ingress Protection rating of IP44, it is only suitable for indoor use.

Do not attach the product to surfaces that are damp or otherwise electrically conductive.

The product should be positioned well away from curtains and other fabrics. Never cover the mirror.



EAM015

CARE & SAFETY

REMEMBER

Wear suitable eye protection when drilling. Take care when using power tools near water - the use of a residual current device (RCD) is advised. Beware of hidden cables or pipes. Take care if drilling on tiled surfaces in case the drill slips. A piece of masking tape applied to the wall before marking out the fixing holes will stop the drill from wandering.

WARNINGS

Do not strike glass components with hard or pointed items. Do not place very hot or very cold items against or in close proximity to glass surfaces unless an adequately thick insulation material is used to prevent such items coming in contact with the glass.

The nominal thickness of the mirror glass used in this product is 5mm and is film backed for safety. If the glass becomes chipped or broken, replace immediately.

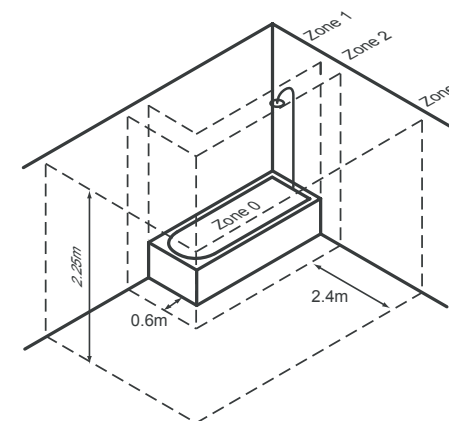
This product could be dangerous and installation is only to be carried out by a competent person.

It is recommended that the unit is cleaned with a soft dry cloth when turned off. Never use cleaning agents or abrasive materials on any type of surface finish. Do not allow moisture to come into contact with the lamp.

COMPLIANCE

This product complies with the following Electrical Safety Standards:
EN 60598-1: 2008, EN 60598-2: 1989.

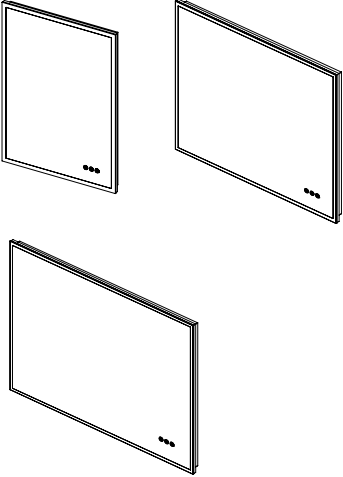


- **IN THE EVENT THAT ANY PROBLEMS ARE EXPERIENCED WITH THIS PRODUCT PLEASE REFER TO YOUR SUPPLIER BEFORE ATTEMPTING ANY REPAIR. OTHERWISE GUARANTEES & WARRANTIES MAY BE VOID.**

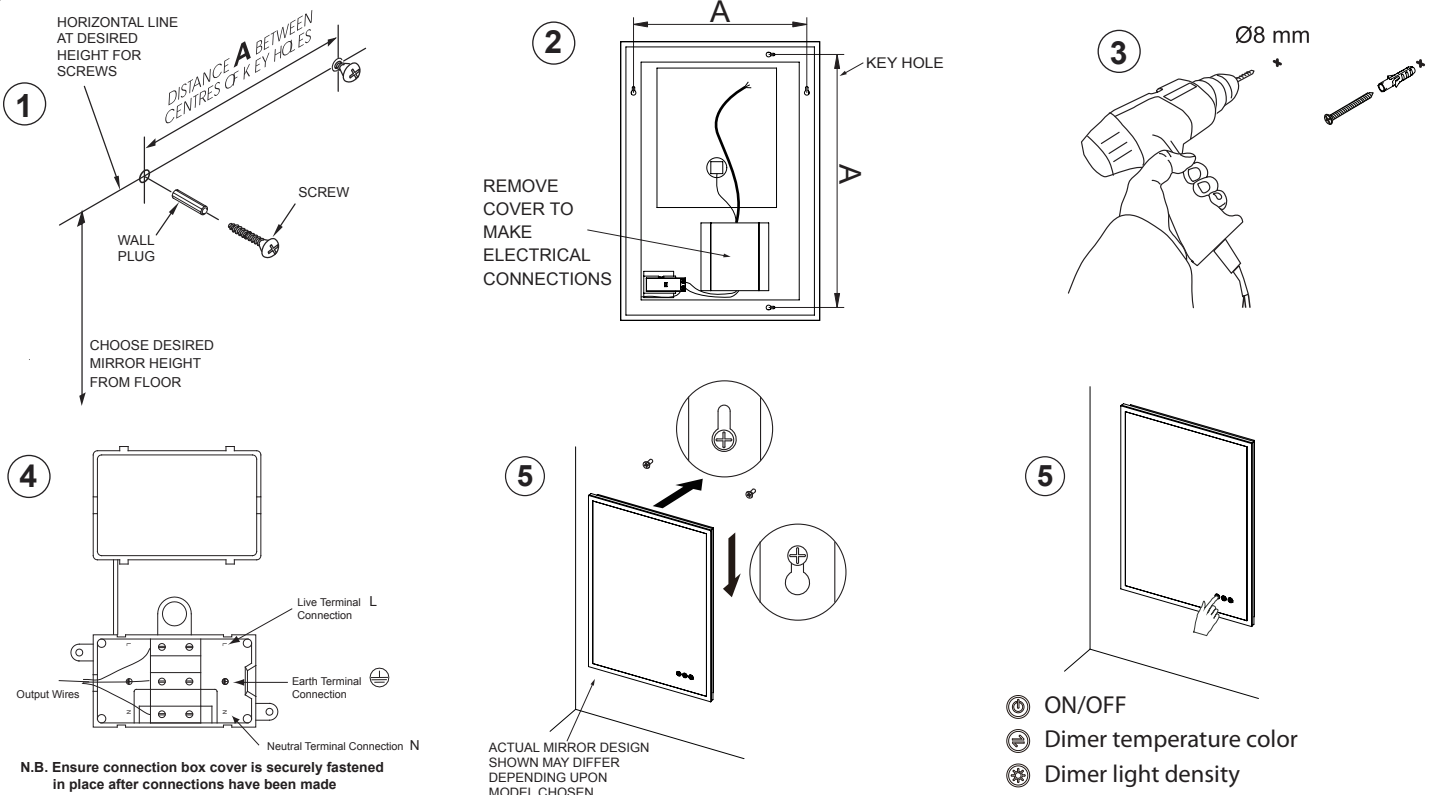


Distances from a Basin or Bath Tub or Shower

INSTALLATION INSTRUCTIONS FOR MIRRORS

Please read these instructions carefully before you start. Please retain for future reference.

	DESCRIPTION	QTY
	MIRROR ASSEMBLY	1
	WALL SCREW	2
	WALL PLUG	2



1 HORIZONTAL LINE AT DESIRED HEIGHT FOR SCREWS
DISTANCE A BETWEEN CENTRES OF KEY HOLES
WALL PLUG
SCREW
CHOOSE DESIRED MIRROR HEIGHT FROM FLOOR

2 REMOVE COVER TO MAKE ELECTRICAL CONNECTIONS
KEY HOLE

3 Ø8 mm

4 Live Terminal L Connection
Earth Terminal Connection
Neutral Terminal Connection N
Output Wires
N.B. Ensure connection box cover is securely fastened in place after connections have been made

5 ACTUAL MIRROR DESIGN SHOWN MAY DIFFER DEPENDING UPON MODEL CHOSEN

- ON/OFF
- Dimer temperature color
- Dimer light density

PROCEDURE

Ensure the wall surface is of suitable strength and construction.

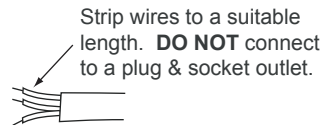
This mirror can be mounted either portrait or landscape.

Note: Wall plugs provided are suitable for Stone or Brick walls. For other wall types use appropriate wall plugs. If in doubt consult an expert.

Ensure that the electrical supply is turned off at the mains. Open the cover from the connection box inside the mirror body

Colour Coding:

- L - Live = Brown
- N - Neutral = Blue
- ⊕ - Earth = Green & Yellow



Strip the mains PVC supply cable as necessary. Thread the power supply through the rubber grommet on the connection box and make the necessary connections in accordance with the current IEE Regulations. Firmly tighten all terminal connections.

IMPORTANT: Loose connections can lead to over heating. Excessive temperatures may lead to scorching of the plastic components, and in extreme cases may even melt. Charring of components is always a consequence of faulty installation or maintenance, and any claims are excluded from the warranty.

! IF IN DOUBT CONSULT YOUR ELECTRICIAN !